

INSTALLATION GUIDE

DriStud Bozz Window Flashing Tape

Flexible, Bituminous Flashing Tape

General DriStud Bozz Window Flashing Tape is designed to be installed in conjunction with DriStud Wall Wrap or a general underlay that complies with, E2/AS1 Table 23. DriStud Bozz Window Flashing Tape is a bituminous foil backed tape that is extremely strong and self-adheres to most surfaces. DriStud Bozz Window Flashing Tape can be used in exterior wall systems where waterproofing around openings and penetrations is required. DriStud Bozz Window Flashing Tape forms part of the secondary weather resistant layer and can be installed on timber framing in accordance with NZS3604: 2011 and is also suitable for steel framing used in conjunction with a 10mm thermal break in accordance with the Nash Design Standard.

KEY FEATURES

- Adheres to most building elements.
- Simple to use and easily applied.
- No primer required to achieve maximum adhesion.
- Suitable for wind zones up to and including extra high (NZS3604: 2011).
- If installing where the temperatures is below 10°C, a primer or heat gun must be used.

AVAILABLE SIZES

75mm x 25m (8/carton)
150mm x 25m (4/carton)

WHO CAN INSTALL

Where DriStud Bozz Window Flashing Tape is used for new construction the work and is subject to a building consent it should be undertaken or supervised by a Licensed Building Practitioner (LBP). Alternatively, the installer should be suitably skilled when installing the tape as a part of an external water management system.

SAFETY

- The installer shall take all precautions to reduce work hazards.
- The installer of DriStud Bozz Window Flashing Tape is required to comply fully with Health and Safety in Employment Act 2002.
- Appropriate clothing, safety footwear and hand and face protection must be used in all cases.
- Safety scaffold and barriers must comply with the requirements of the Health and Safety in Employment Act 2002 and NZBC, F5 (Construction and demolition hazards).

WARRANTY

TCL Hunt Ltd warrants that DriStud Bozz Tape will be free from manufacturing defects. Upon receipt of DriStud Bozz Window Flashing Tape, it is recommended that a visual check is made. Where defects are observed, these will be replaced at the discretion of TCL Hunt, provided they are returned to point of purchase. If installed in accordance with TCL Hunt installation requirements, TCL Hunt warrants that DriStud Bozz Window Flashing Tape will comply with relevant provisions of the NZ Building Code. TCL Hunt is confident that DriStud Bozz Tape will have a serviceability life of 50 years provided that:

- The balance of the external wall is installed in accordance with the NZ Building Code, and,
- All necessary maintenance is undertaken in respect of the external wall system.

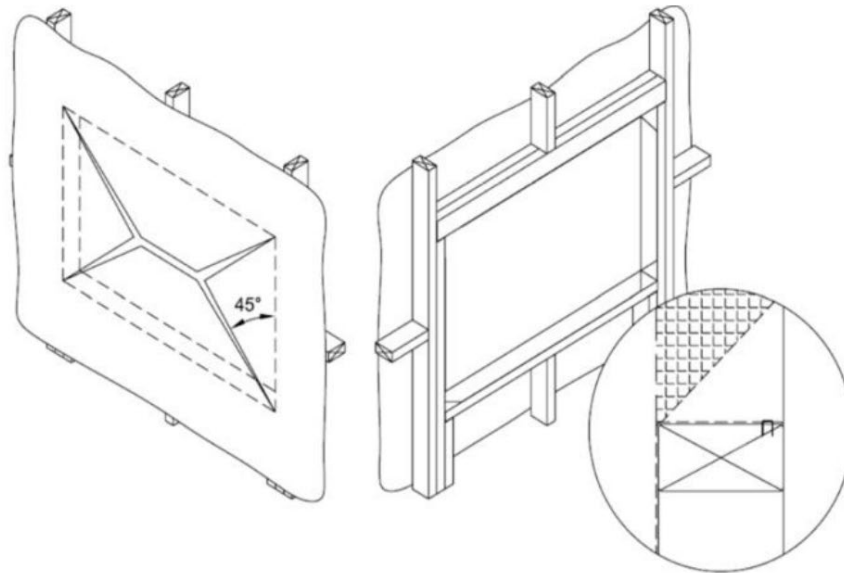
Please refer to DriSpace website www.drinspace.co.nz for more information on warranty and disclaimer.

INSTALLATION- Next page

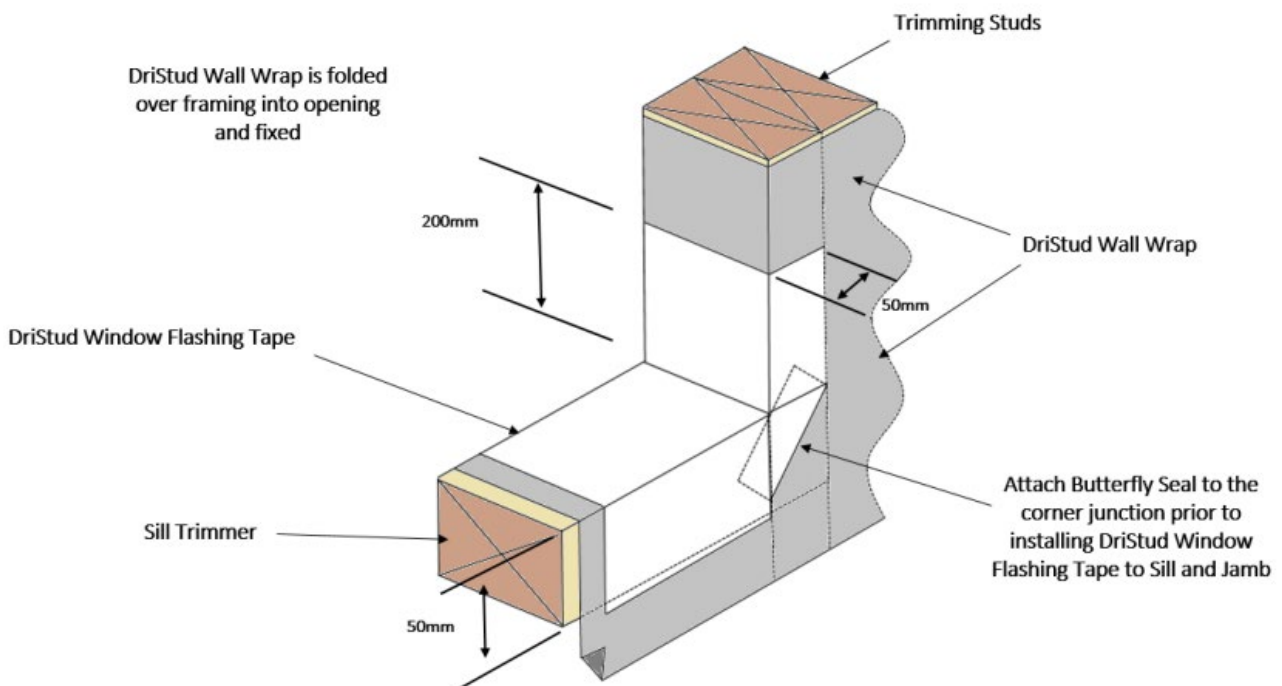
INSTALLATION GUIDE

INSTALLATION

1. Install Wall Underlay/Air Barrier in accordance with manufacturer's specifications. If using DriStud Wall Wrap once installed to the wall frame at each window/door space, ensure it is cut at a 45° angle from each corner of the void. Each Flap must be folded into the window/door opening and fixed tightly and securely with staples.

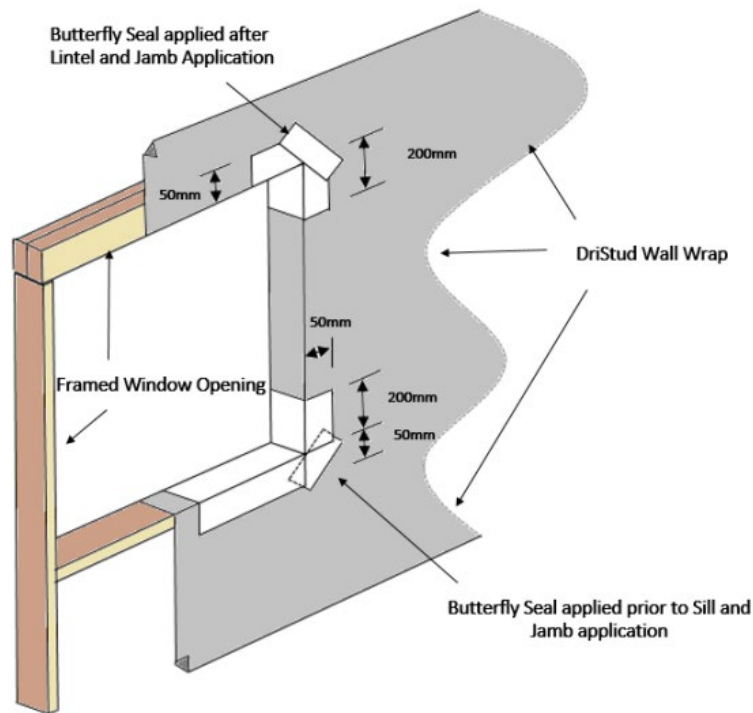


2. On the lower two corners of the window/door apply a strip of 150mm by 75mm Bozz Tape (known as a butterfly seal) at a 45° angle, sealing the corner junction.



INSTALLATION GUIDE

- Bozz Tape is to be cut to length of the sill whilst allowing an additional 200mm for the jamb. Application must be to the interior face of the opening, along the length of the sill and up the jamb. When applying, gradually release the backing film whilst securing and ensuring the tape is correctly aligned to the inside edge and forms a tight and secure seal into the corners (An off cut of framing timber may assist with this). Cut the overhanging tape at each corner, fold and secure to the Wall Wrap and over the butterfly seals already applied.



- On the two upper corners cut the Bozz Tape to required length allowing 200mm for the jamb. Apply to the interior face of the opening, along the length of the lintel and down the jamb. Cut the overhanging tape at each corner, fold and secure to the Wall Wrap then apply a 150mm by 75mm butterfly seal over top at a 45° angle.

* DriStud Bozz Window Flashing Tape can be exposed to the environment for up to 42 days if installed correctly and sufficient adhesion has been achieved. ** The above method is the preferred application for butterfly seals. Product Warranty is still valid if sill butterfly seals are applied over the tape at each corner (instead of under).

For further information please visit
www.drinspace.co.nz or call **0800 DRISTUD**
(374 7883).